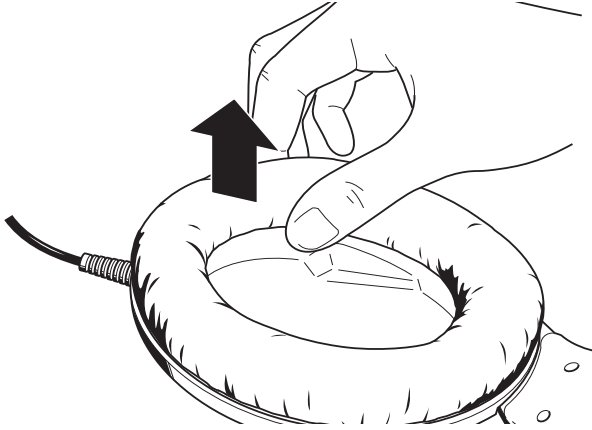
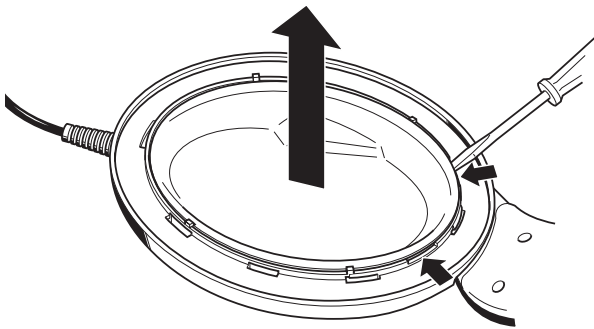


## Changing the cable (HD 515, HD 555 and HD 595)

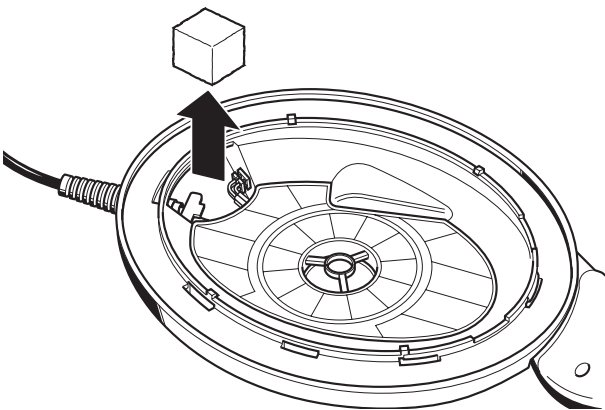
### Removing the cable



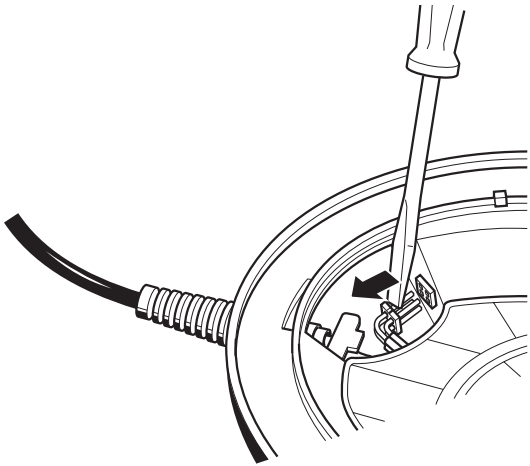
Strongly pull the ear cushion up and away from the earcup until it unlocks.



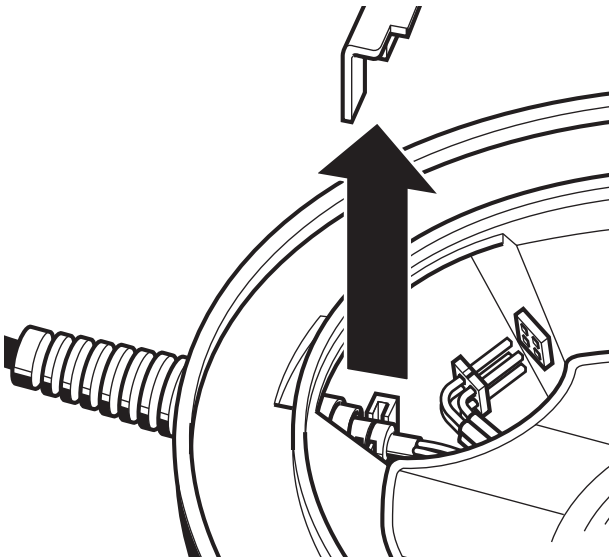
Use a flat screwdriver to carefully lift off the system cover.



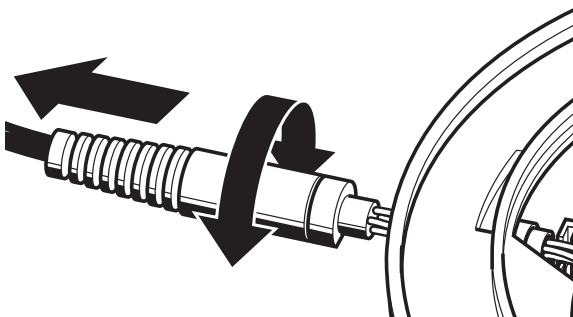
Remove the foam protection.



Remove the cable ends from the socket.



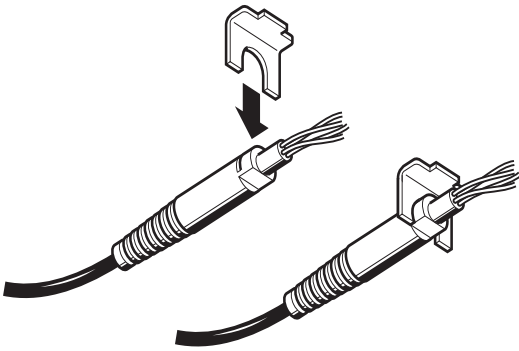
Remove the cable clamp.



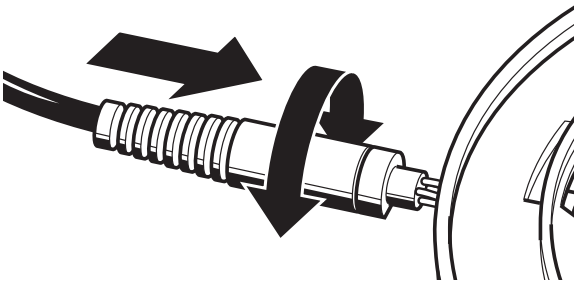
Remove the cable by turning it to and fro.

## Replacing the cable

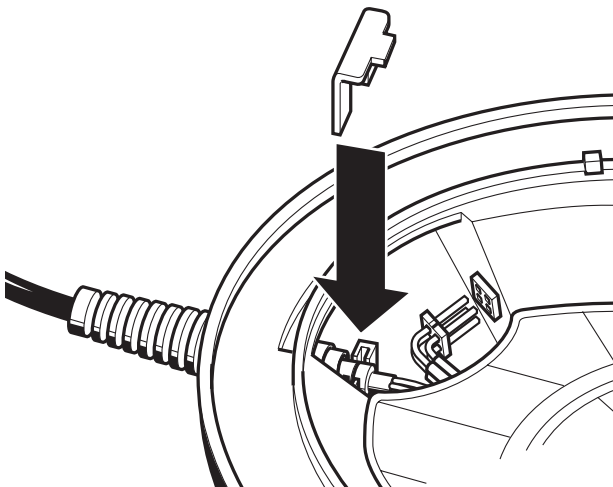
Before inserting the new cable, try out the cable clamp.



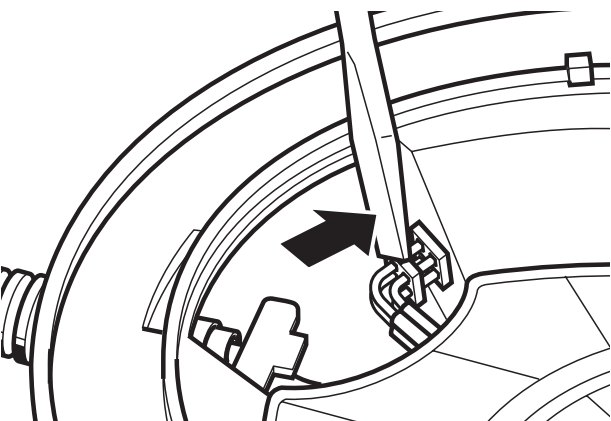
Insert the cable ends into the small hollow space and guide the cable (without the cable clamp) through the opening by turning it to and fro.

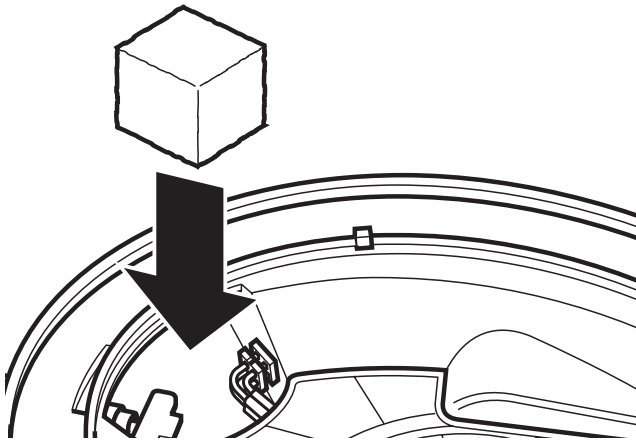


Insert the cable clamp into the notch on the cable.

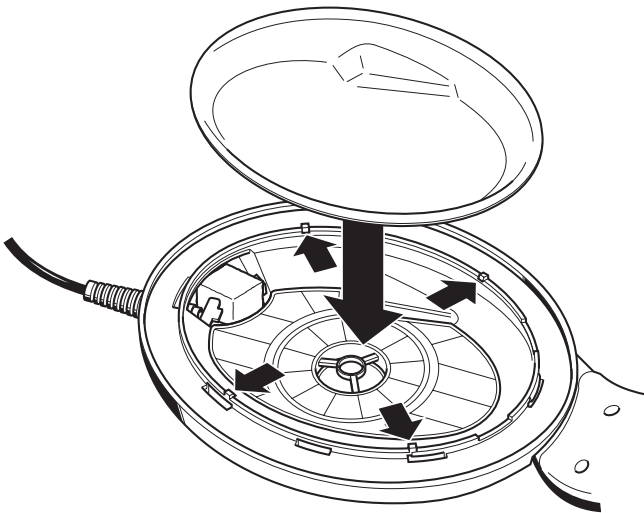


Insert the cable ends into the socket as shown. If necessary, use a suitable tool (e.g. a screwdriver).

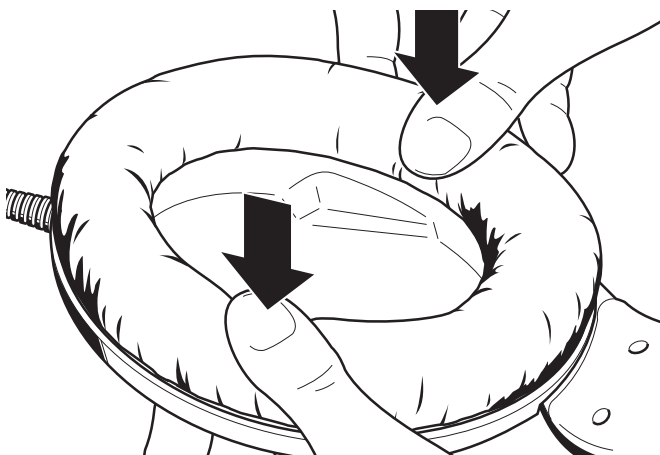




Replace the foam protection.



Put the system cover back by pressing it down until it click-locks into place.



Press down the ear cushion onto the earcup until it click-locks into place.